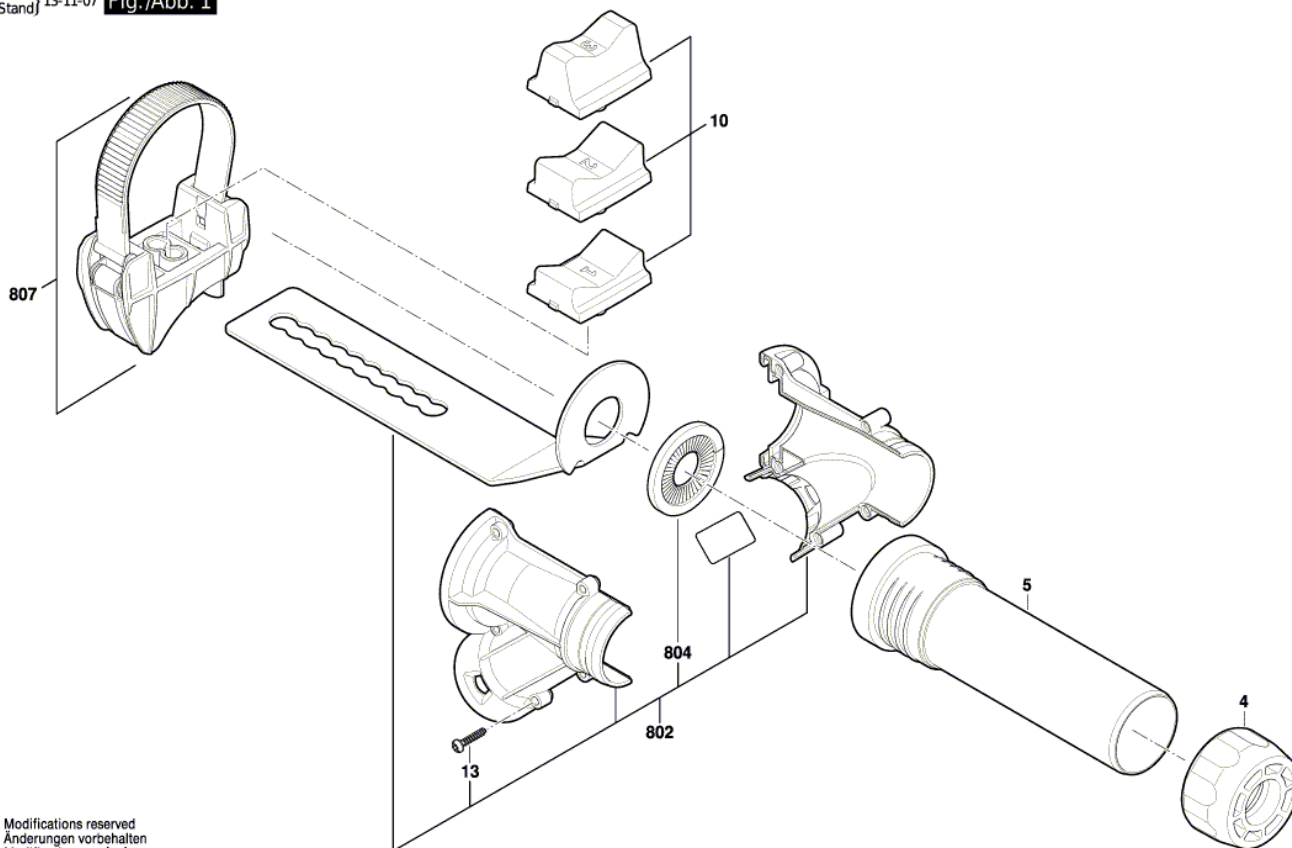




1 600 A00 1G9  
Issue  
Stand

13-11-07 Fig./Abb. 1



Modifications reserved  
Änderungen vorbehalten  
Modifications réservées  
Salvo modificaciones



Pos.	Part Number	Description	Pos.	Part Number	Description
4	1 600 A00 21Y	Sleeve			
5	1 600 A00 1LZ	Tube			
10	1 600 A00 1W1	V-Block			
13	2 603 490 023	Torx Oval-Head Screw			
802	1 615 806 25W	Housing			
804	1 600 A00 1LX	Brush Bar			
807	1 600 A00 1R9	Support clamp			